

25TSG Series



Key Features

- High torque
- Low noise
- Small size
- Motor step angle 3,75° & 7,5° & 15°
-

General Specifications

Series	Reduction (:1)	Step angle (°)	Voltage (V)	Current (A)	Resistance (ohm)	Inductance (mH)	Holding torque (mNm)
25TSG24B06R010-00	10	1,5°	24	0,4	6	2,3	80
25TSG24B06R021-00	21	0,714°	24	0,4	6	2,3	168
25TSG24B06R043-00	43	0,349°	24	0,4	6	2,3	344
25TSG24B06R090-00	90	0,167°	24	0,4	6	2,3	400
25TSG24B06R188-00	188	0,080°	24	0,4	6	2,3	400
25TSG24B06R392-00	392	0,038°	24	0,4	6	2,3	400
25TSG24B23R010-00	10	1,5°	24	0,4	23	6,3	130
25TSG24B23R021-00	21	0,714°	24	0,4	23	6,3	273
25TSG24B23R043-00	43	0,349°	24	0,4	23	6,3	400
25TSG24B23R090-00	90	0,167°	24	0,4	23	6,3	400
25TSG24B23R188-00	188	0,080°	24	0,4	23	6,3	400
25TSG24B23R392-00	392	0,038°	24	0,4	23	6,3	400
25TSG48B06R010-00	10	0,75°	24	0,4	6	2,8	140
25TSG48B06R021-00	21	0,357°	24	0,4	6	2,8	294

25TSG48B06R043-00	43	0,174°	24	0,4	6	2,8	400
25TSG48B06R090-00	90	0,083°	24	0,4	6	2,8	400
25TSG48B06R188-00	188	0,040°	24	0,4	6	2,8	400
25TSG48B06R392-00	392	0,019°	24	0,4	6	2,8	400
25TSG48B23R010-00	10	0,75°	24	0,4	23	8,8	220
25TSG48B23R021-00	21	0,357°	24	0,4	23	8,8	400
25TSG48B23R043-00	43	0,174°	24	0,4	23	8,8	400
25TSG48B23R090-00	90	0,083°	24	0,4	23	8,8	400
25TSG48B23R188-00	188	0,040°	24	0,4	23	8,8	400
25TSG48B23R392-00	392	0,019°	24	0,4	23	8,8	400
25TSG96B06R010-00	10	0,375°	24	0,4	6	3,8	150
25TSG96B06R021-00	21	0,179°	24	0,4	6	3,8	315
25TSG96B06R043-00	43	0,087°	24	0,4	6	3,8	400
25TSG96B06R090-00	90	0,042°	24	0,4	6	3,8	400
25TSG96B06R188-00	188	0,020°	24	0,4	6	3,8	400
25TSG96B06R392-00	392	0,010°	24	0,4	6	3,8	400
25TSG96B23R010-00	10	0,375°	24	0,4	6	3,8	200
25TSG96B23R021-00	21	0,179°	24	0,4	6	3,8	400
25TSG96B23R043-00	43	0,087°	24	0,4	6	3,8	400
25TSG96B23R090-00	90	0,042°	24	0,4	6	3,8	400

25TSG96B23R188-00	188	0,020°	24	0,4	6	3,8	400
25TSG96B23R392-00	392	0,010°	24	0,4	6	3,8	400

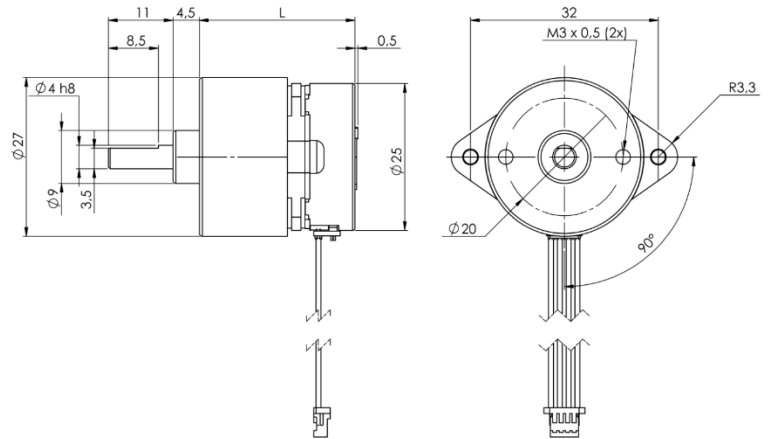
Optional Features

- Integrated driver
- Custom winding, wire harness
- Custom pinion, leadscrew
- Custom shaft

Length

- 26,5mm for 10:1 & 21:1
- 31,5mm for 43:1 & 90:1
- 36,5mm for 188:1 & 392:1

Mechanical Dimensions



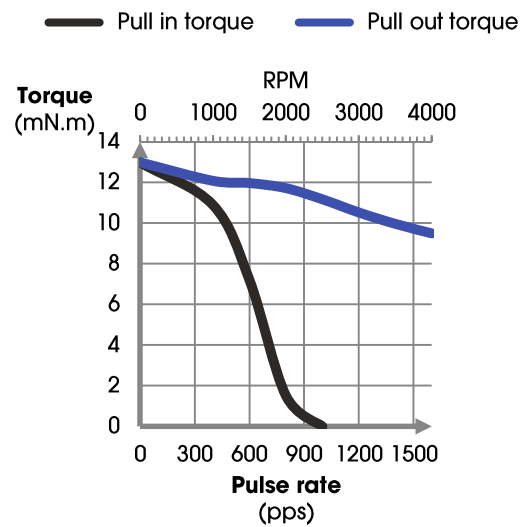
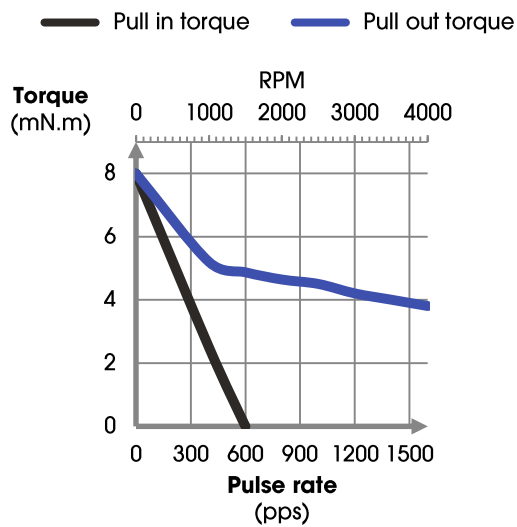
Dynamic Torque Curves

25TSG24B06

Conditions: Bi-polar Constant Current Driver
 Driver: AMIS 30522
 Mode: Full Step

25TSG24B23

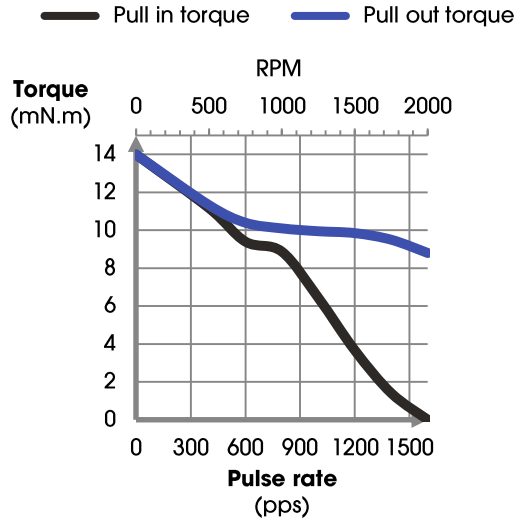
Conditions: Bi-polar Constant Current Driver
 Driver: AMIS 30522
 Mode: Full Step



Dynamic Torque Curves

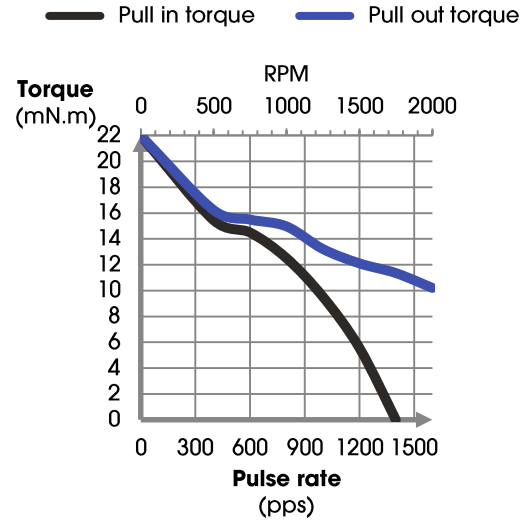
25TSG48B06

Conditions: Bi-polar Constant Current Driver
 Driver: AMIS 30522
 Mode: Full Step



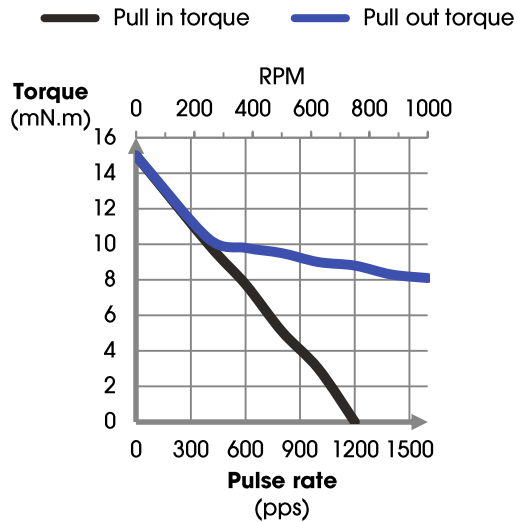
25TSG48B23

Conditions: Bi-polar Constant Current Driver
 Driver: AMIS 30522
 Mode: Full Step



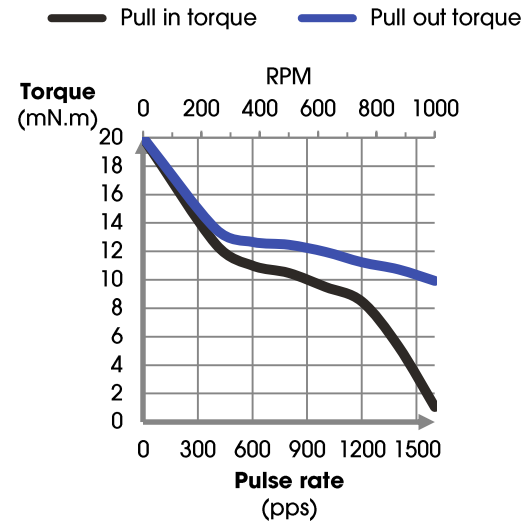
25TSG96B06

Conditions: Bi-polar Constant Current Driver
 Driver: AMIS 30522
 Mode: Full Step



25TSG96B23

Conditions: Bi-polar Constant Current Driver
 Driver: AMIS 30522
 Mode: Full Step



25LSG Series



Key Features

- High torque
- Low noise
- Small size
- Motor step angle 7,5° & 15°

General Specifications

Series	Reduction (:1)	Step angle (°)	Voltage (V)	Current (A)	Resistance (ohm)	Inductance (mH)	Holding torque (mNm)
25LSG24B09R010-00	10	1,500°	24	0,5	9	6,7	350
25LSG24B09R021-00	21	0,714°	24	0,5	9	6,7	400
25LSG24B09R043-00	43	0,349°	24	0,5	9	6,7	400
25LSG24B09R090-00	90	0,167°	24	0,5	9	6,7	400
25LSG24B09R188-00	188	0,080°	24	0,5	9	6,7	400
25LSG24B09R392-00	392	0,038°	24	0,5	9	6,7	400
25LSG24B25R010-00	10	1,500°	24	0,5	25	17,6	400
25LSG24B25R021-00	21	0,714°	24	0,5	25	17,6	400
25LSG24B25R043-00	43	0,349°	24	0,5	25	17,6	400
25LSG24B25R090-00	90	0,167°	24	0,5	25	17,6	400
25LSG24B25R188-00	188	0,080°	24	0,5	25	17,6	400
25LSG24B25R392-00	392	0,038°	24	0,5	25	17,6	400

25LSG48B09R010-00	10	0,750°	24	0,5	9	8,7	400
25LSG48B09R021-00	21	0,357°	24	0,5	9	8,7	400
25LSG48B09R043-00	43	0,174°	24	0,5	9	8,7	400
25LSG48B09R090-00	90	0,083°	24	0,5	9	8,7	400
25LSG48B09R188-00	188	0,040°	24	0,5	9	8,7	400
25LSG48B09R392-00	392	0,019°	24	0,5	9	8,7	400
25LSG48B25R010-00	10	0,750°	24	0,5	25	21,3	400
25LSG48B25R021-00	21	0,357°	24	0,5	25	21,3	400
25LSG48B25R043-00	43	0,174°	24	0,5	25	21,3	400
25LSG48B25R090-00	90	0,083°	24	0,5	25	21,3	400
25LSG48B25R188-00	188	0,040°	24	0,5	25	21,3	400
25LSG48B25R392-00	392	0,019°	24	0,5	25	21,3	400

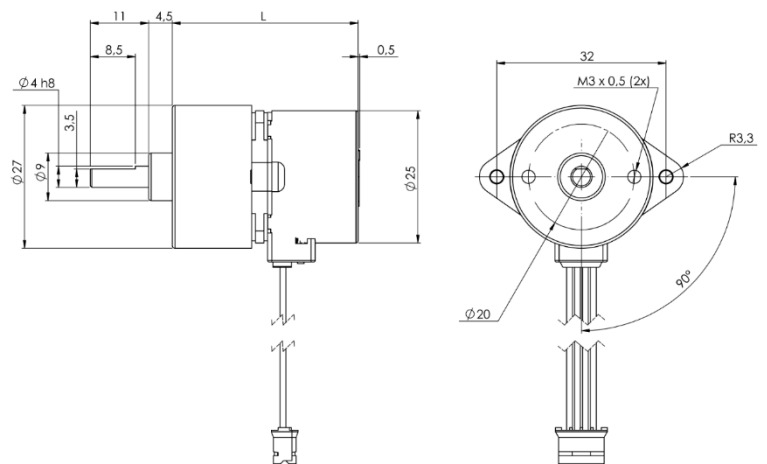
Optional Features

- Custom winding, wire harness
- Custom pinion, leadscrew
- Custom shaft

Length

- 35,1mm for 10:1 & 21:1
- 40,1mm for 43:1 & 90:1
- 45,1mm for 188:1 & 392:1

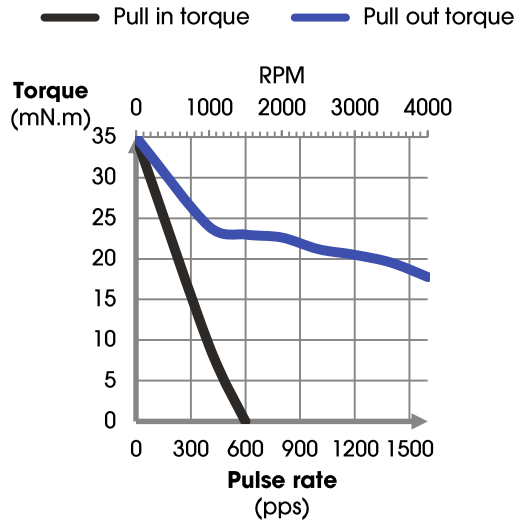
Mechanical Dimensions



Dynamic Torque Curves

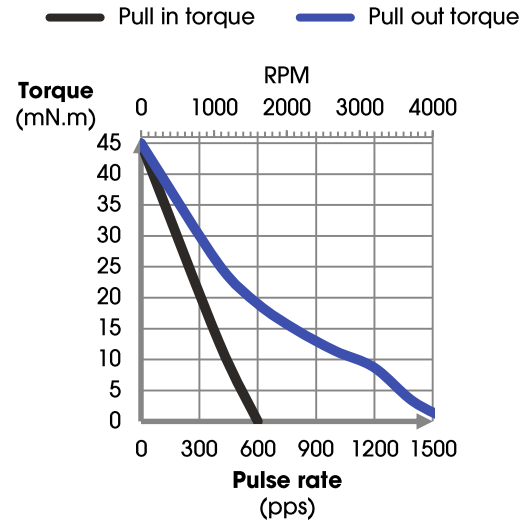
25LSG24B09

Conditions: Bi-polar Constant Current Driver
 Driver: AMIS 30522
 Mode: Full Step



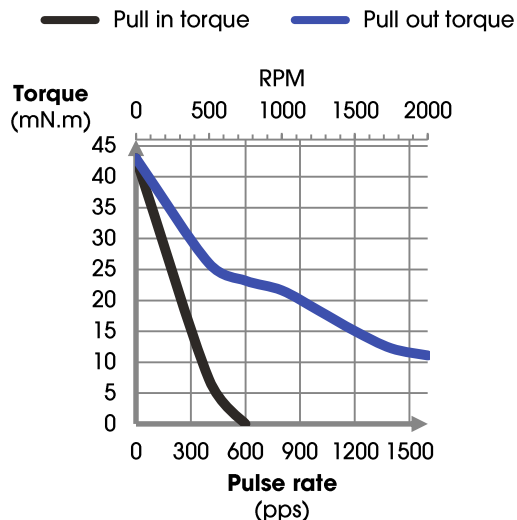
25LSG24B25

Conditions: Bi-polar Constant Current Driver
 Driver: AMIS 30522
 Mode: Full Step



25LSG48B09

Conditions: Bi-polar Constant Current Driver
 Driver: AMIS 30522
 Mode: Full Step



25LSG48B25

Conditions: Bi-polar Constant Current Driver
 Driver: AMIS 30522
 Mode: Full Step

