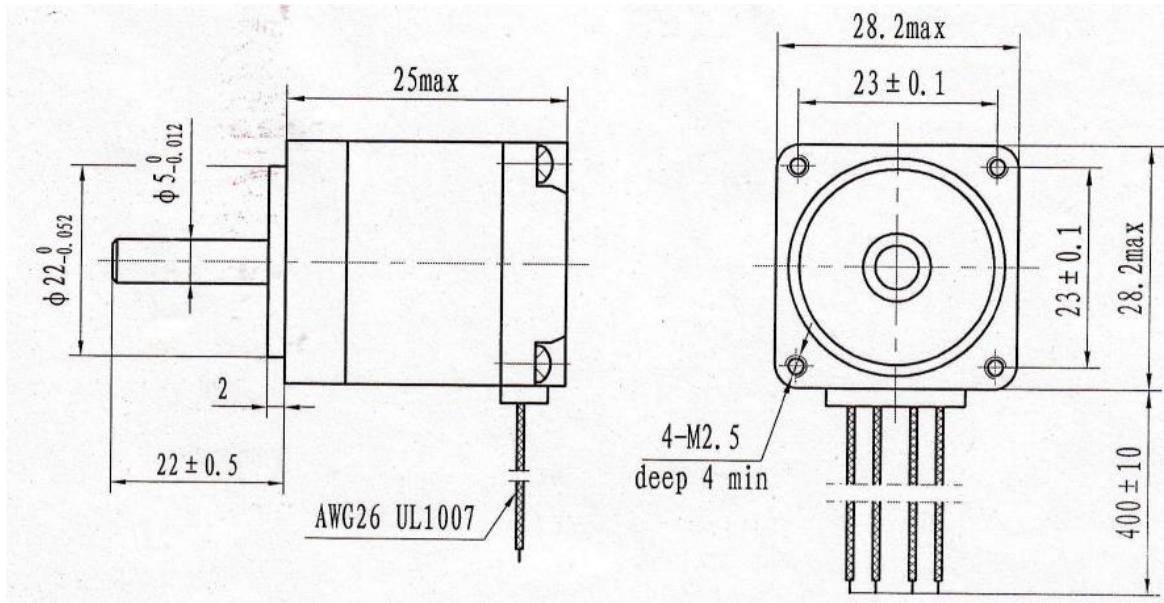


8HY003-22



General specification		Electrical specification		Wiring diagramm
Step angle	$1.8^\circ \pm 5\%$	Rated voltage	4.6V	
Number of phase	2	Rated current	0.4A	
Insolation resistance	100MΩmin. (500V DC)	Resistance per phase	$11.5\Omega \pm 10\%$	
Insolation class	Class B	Inductance per phase	$4.5mH \pm 20\%$	
Rotor inertia	5 g.cm <sup>2</sup>	Holding torque	30 mN.m	
Mass	50g	Detent torque	2.5 mN.m	


color-technik  
Antriebstechnik GmbH  
Starkenburgerstr. 6 \* 64546 Mörfelden  
Tel.:06105 24044 \* Fax:06105 25593  
info@color-technik.net  
[www.color-technik.net](http://www.color-technik.net)

FEIHONG PRECISION MOTOR CO.,LTD

11HY003-22

FH3.162.