

KF42

New

1.8°/step

□42mm

NEMA17



Applications

OA

FA

Money-handling &
Banking equipment
Medical Devices

SINGLE SHAFT

MODEL
KF4234-EN2B801
KF4239-EN2B801
KF4239-EN2B802
KF4242-EN2B801
KF4242-EN2B802

OPTION

KV42LBS300



Antriebstechnik GmbH

Starkenburgerstr. 6 * 64546 Mörfelden
Tel.:06105 24044 * Fax:06105 25593

info@color-technik.net

www.color-technik.net

FEATURES

- A motor size down, achieving the torque of one size up.
※ Expanding the rotor diameter to its maximum limit within a new "flattened" structure allows the □42motor profile to be maintained.
- Large Rotor
- High Torque

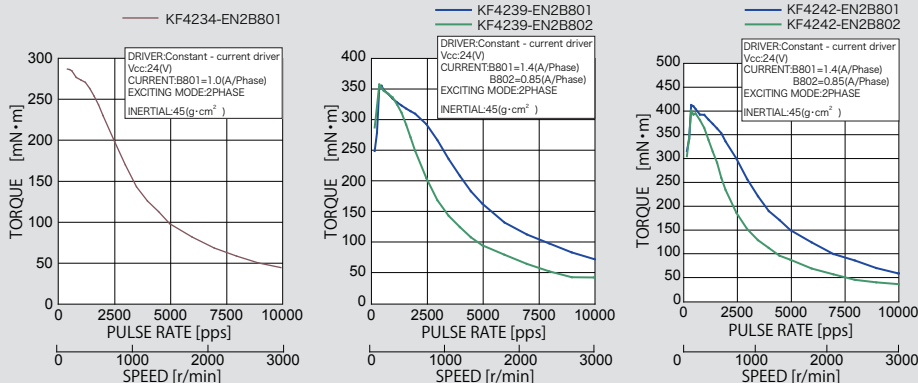
SPECIFICATIONS

STEP ANGLE ° /step	VOLTAGE V	CURRENT A/PHASE	WINDING RESISTANCE Ω/PHASE	INDUCTANCE mH/PHASE	HOLDING TORQUE mN · m	ROTOR INERTIA g · cm ²	MODEL
1.8	4.1	1.0	4.1	5.3	330	70	KF4234-EN2B801
1.8	3.08	1.4	2.2	2.7	400	100	KF4239-EN2B801
1.8	4.85	0.85	5.7	6.9	400	100	KF4239-EN2B802
1.8	3.36	1.4	2.4	4.0	460	145	KF4242-EN2B801
1.8	5.36	0.85	6.3	10.0	460	145	KF4242-EN2B802

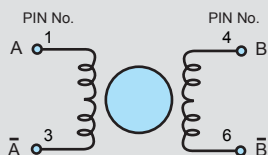
GENERAL SPECIFICATIONS

INSULATION RESISTANCE	500V DC 100MΩ min. (at normal temp.& humidity,between lead and case)
DIELECTRIC STRENGTH	500V AC 50Hz 1min. (at normal temp.& humidity,between lead and case)
AMBIENT TEMP. AND HUMIDITY	-10°C~+50°C, 5%~95%RH (noncondensing)
STORAGE TEMP. AND HUMIDITY	-20°C~+70°C, 5%~95%RH (noncondensing)
TEMPERATURE RISE	80K max (By resistance method)
POSITION ACCURACY	±10%

SPEED-TORQUE CHARACTERISTICS



CONNECTION DIAGRAMS



PHR-6 (PIN NO.)	1	3	4	6
PHASE	A	\bar{A}	B	\bar{B}
COLOR OF LEAD	RED	BLUE	YELLOW	WHITE

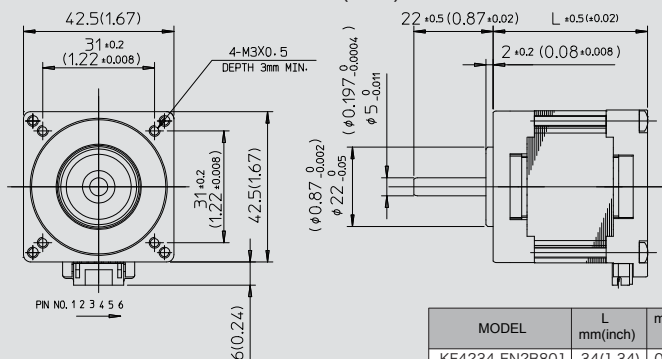
CW viewed from rotor shaft when using the following sequence diagram.

EXCITATION SEQUENCE

PHASE	1	2	3	4
A	-	+	+	-
B	-	-	+	+
\bar{A}	+	-	-	+
\bar{B}	+	+	-	-

DIMENSIONS

Unit = mm(inch)

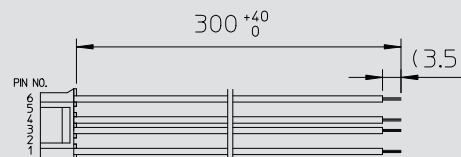


The KF42 motor is supplied without a leadwire assembly. This must be ordered as a separate part.

MODEL	L mm(inch)	mass kg
KF4234-EN2B801	34(1.34)	0.23
KF4239-EN2B801	39(1.54)	0.29
KF4239-EN2B802	39(1.54)	0.29
KF4242-EN2B801	42(1.66)	0.33
KF4242-EN2B802	42(1.66)	0.33

OPTION (Leadwire Assembly)

MODEL : KV42LBS300



CONNECTOR SPECIFICATIONS

Maker	JST
Applicable Housing	PHR-6
Applicable Terminal	SPH-002T-P0.5S
Lead Wire	UL3266 AWG26