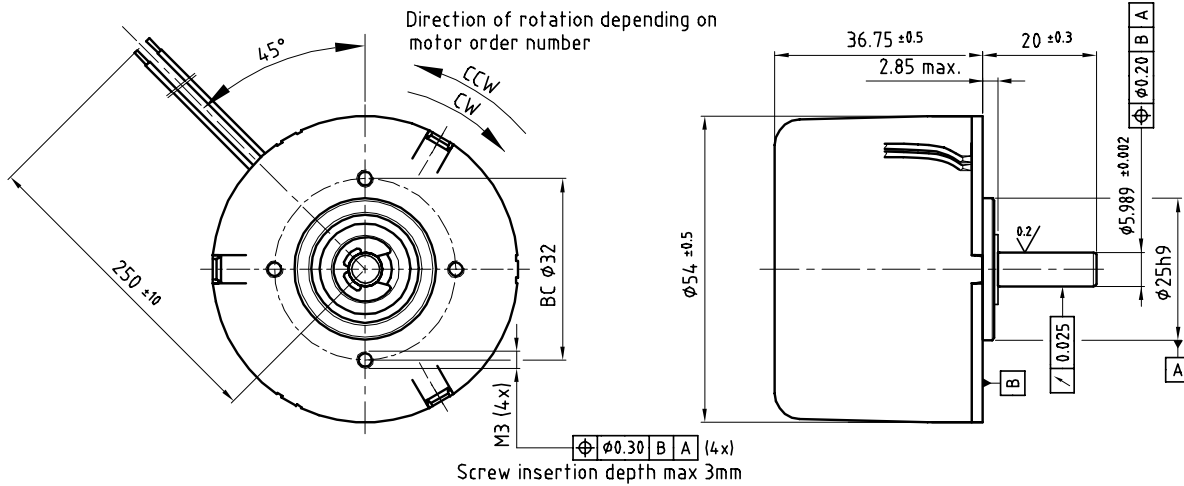


Dimensional drawing



Motor data

Motor order number	CW	4322 016 +	48025	48035
	CCW	4322 016 +	48021	48031
Nominal voltage	[V]	12	12	24
Voltage range	[V]	10 .. 15	10 .. 15	14 .. 28
Max. output power <sup>1)</sup>	[W]	12	12	12
No load speed	[rpm]	4600	4600	4600
No load current	[mA]	230	230	140
Min. starting torque	[mNm]	53	53	57
Nominal torque	[mNm]	30	30	30
Nominal speed	[rpm]	3200	3200	3200
Nominal current	[A]	1.28	1.28	0.66
Max. current limit	[A]	2.13	2.13	1.04
Max. continuous torque <sup>1)</sup>	[mNm]	43	43	43
Torque constant	[mNm/A]	27.6	27.6	56.2
Rotor inertia	[kgm <sup>2</sup> ]	31x10 <sup>-6</sup>	31x10 <sup>-6</sup>	31x10 <sup>-6</sup>
Mechanical time constant	[ms]	51	51	41
Max. flange temperature <sup>1)</sup>	[°C]	85	85	85

All relevant values in above table are valid for nominal supply voltages and Tamb.=22°C

<sup>1)</sup> For thermal reasons it is advised to mount the motor on a heat conducting frame if high output power is desired.

Maximum radial load 15 mm from mounting front at 3000 rpm	[N]	40
Mass of motor	[g]	250

Electrical Connection

Lead colour	Function	Description
red	supply voltage	AWG 24
blue	ground	AWG 24

Reversed connection of +V and Ground wires can lead to motor damage

Product combinations

- \* Gearbox P42A
- \* Gearbox S64A
- \* Gearbox S69A

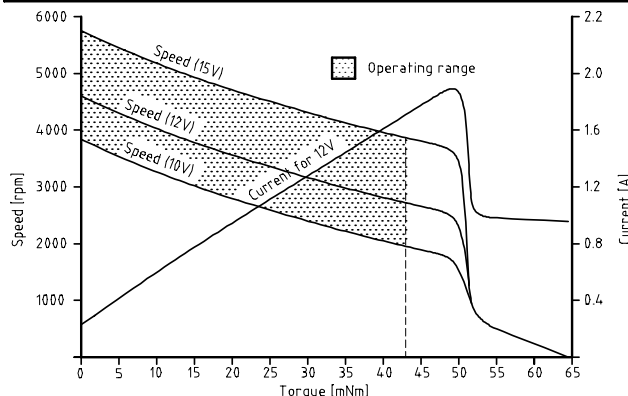
Options

- \* Special shafts, diameter 3..6 mm
- \* 4-wire versions with an extra lead for Frequency Generator output and a lead for speed adjustment (PWM control of motor voltage)
- \* Direction of rotation pre-set (internal)
- \* Square foot mounting flange

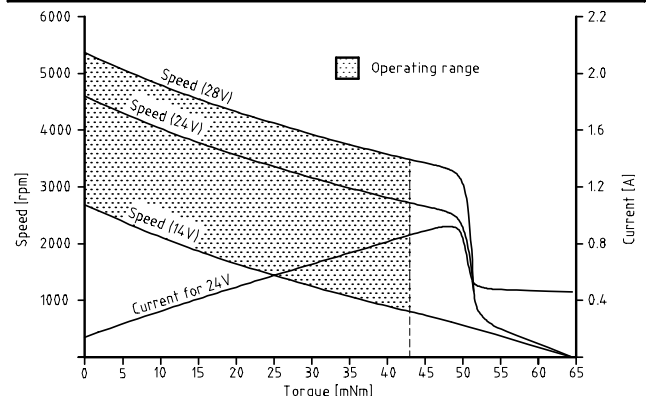
Features

- \* 2 wire concept
- \* Long life (up to 20.000 hours)
- \* EMC compliance with standards EN 55011, EN 55022 and EN 50082-1 <sup>2)</sup>
- \* Protection class IP30
- <sup>2)</sup> Capacitor of 1000 µF (for 12 V motor) or 470 µF (for 24 V motor) needed at the outlet of the power supply.

Performance curves of 12 V versions



Performance curves of 24 V versions



**PREMOTECH**

PRECISION MOTOR TECHNOLOGY BV

Precision Motor Technology b.v. - Kerkeplaat 16 - 3313 LC - Dordrecht - The Netherlands

**color-technik**

Antriebstechnik GmbH

Starkenburgerstr. 6 \* 64546 Mörfelden

Tel.:06105 24044 \* Fax:06105 25593

info@color-technik.net

www.color-technik.net

Internet :