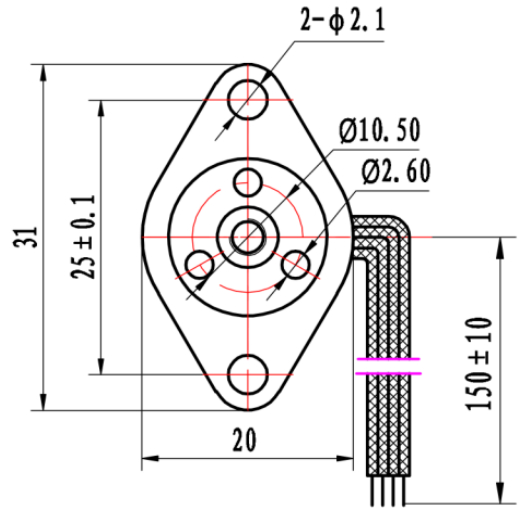
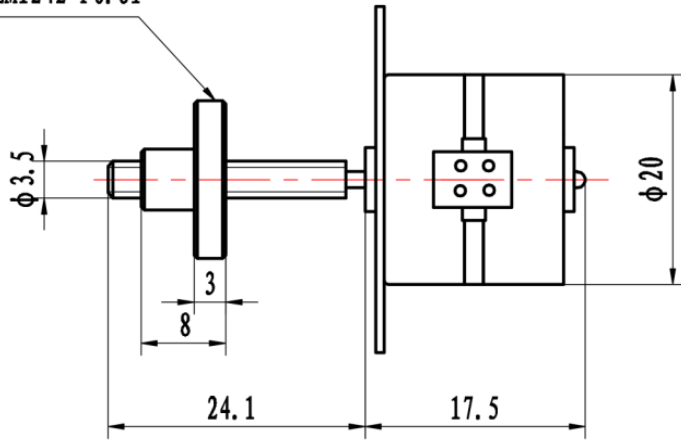


Smooth®

color-technik
Antriebstechnik GmbH

20PM301Y-16N

LM1242-P0.61



General specification		Electrical specification		Wiring diagramm
Step angle	15°	Rated voltage	5V	
Number of phase	2	Rated current	0.25A	
Insulation resistance	20MΩmin. (500V DC)	Resistance per phase	20Ω ± 10%	
Insulation class	Class B	Inductance per phase	7mH ± 20%	
Stroke	14mm	Push torque	24N @ 200pps	
Mass	36g	Travel per step	0.0254mm	

	B	D	A	C	
	RED	GRAY	YELLOW	BLACK	
EXTEND ↓	+	-	+	-	↑ RETRACT
	+	-	-	+	
	-	+	-	+	
	-	+	+	-	
	+	-	+	-	

FEIHONG PRECISION MOTOR CO.,LTD

20PM301Y-16N

color-technik

Antriebstechnik GmbH

Starkenburgerstr. 6 * 64546 Mörfelden

Tel.:06105 24044 * Fax:06105 25593

info@color-technik.net

www.color-technik.net