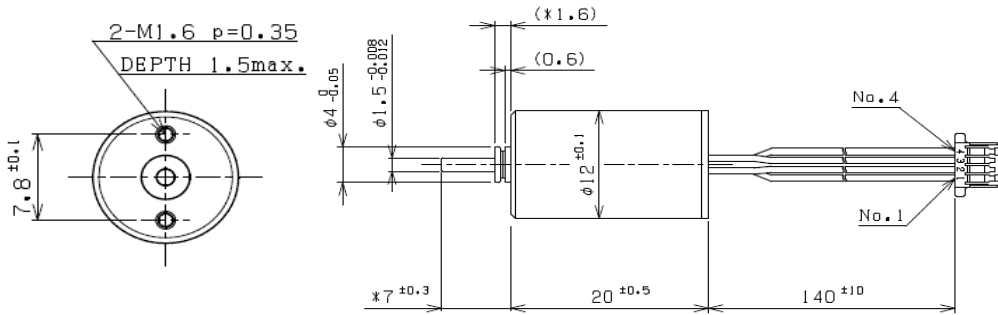


φ12mm Brushless Motor Slotless type

Very Low Current Consumption



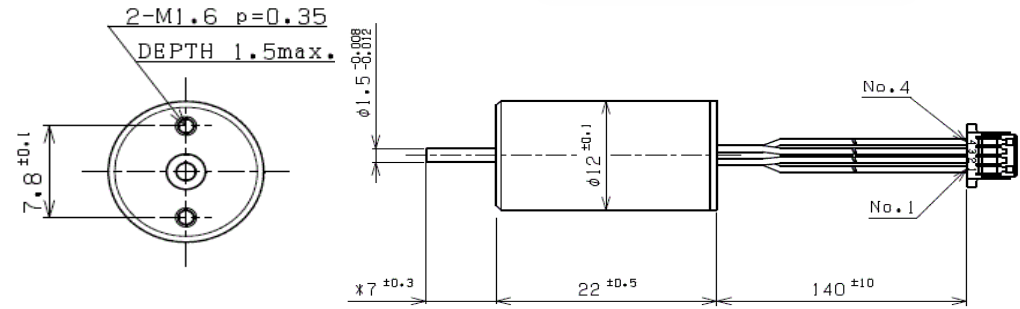
Sleeve Bearings version

No.	
1	U
2	V
3	W
4	COM

φ12mm Brushless Motor Slotless type

Ball bearing version

Under Development



Motor NUR für Projekte.



No.	
1	U
2	V
3	W
4	COM

Specifications

Model	C12C-X1	C12C-X1	C12C-X2	C12C-X2
Size(mm)	12x20	12x22	12x20	12x22
Bearing	sleeve bearings	Ball bearings	sleeve bearings	Ball bearings
Voltage(V)	3.0	3.0	3.0	3.0
No Load Speed(rpm)	6,480	6,420	7920	7800
No load Current(mA)	13	20	17	25
Stall Current(mA)	234	234	349	349
Terminal resistance(Ω)	12.8	12.8	8.6	8.6
Stall Torque(mNm)	0.92	0.88	1.14	1.10
Max. Efficiency(%)	58.2	49.8	60.6	53.4
Max. Power(W)	0.16	0.15	0.24	0.22



Antriebstechnik GmbH

Starkenburgerstr. 6 * 64546 Mörfelden

Tel.:06105 24044 * Fax:06105 25593

info@color-technik.net

www.color-technik.net