

# 2-Phase Hybrid Stepping Motor

1.8°

# KH39 series 800 type

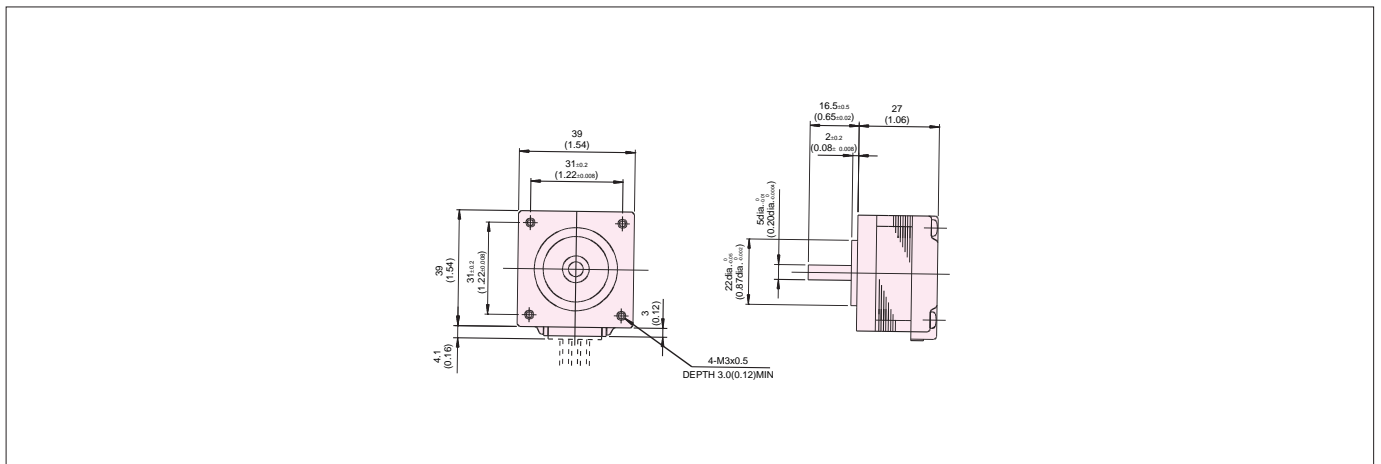
HIGH TORQUE, LOW VIBRATION AND LOW NOISE

**colortech**  
Antriebstechnik GmbH

## STANDARD SPECIFICATIONS

MODEL	UNIT	KH39FM2	
		-801	-851
DRIVE METHOD	————	UNI-POLAR	(BI-POLAR)
NUMBER OF PHASES	————	2	2
STEP ANGLE	deg./step	1.8	1.8
VOLTAGE	V	6.3	4
CURRENT	A/PHASE	0.42	0.67
RESISTANCE	Ω/PHASE	15.0	6.0
INDUCTANCE	mH/PHASE	8.5	6.8
HOLDING TORQUE	mN • m	88	118
	oz • in	13	17
DETENT TORQUE	mN • m	9.8	9.8
	oz • in	1.4	1.4
ROTOR INERTIA	g • cm <sup>2</sup>	19	19
	oz • in <sup>2</sup>	0.10	0.10
WEIGHT	g	160	160
	lb	0.35	0.35
INSULATION CLASS	————	E EQUIVALENT (120°C 248°F) (UL VALUE : CLASS B-130°C)	
INSULATION RESISTANCE	————	500VDC 100MΩmin.	
DIELECTRIC STRENGTH	————	500VAC 50HZ 1min.	
OPERATING TEMP.RANGE	°C	0 to 50	
ALLOWABLE TEMP.RISE	deg.	70	

## DIMENSIONS unit = mm (inch)

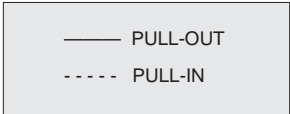
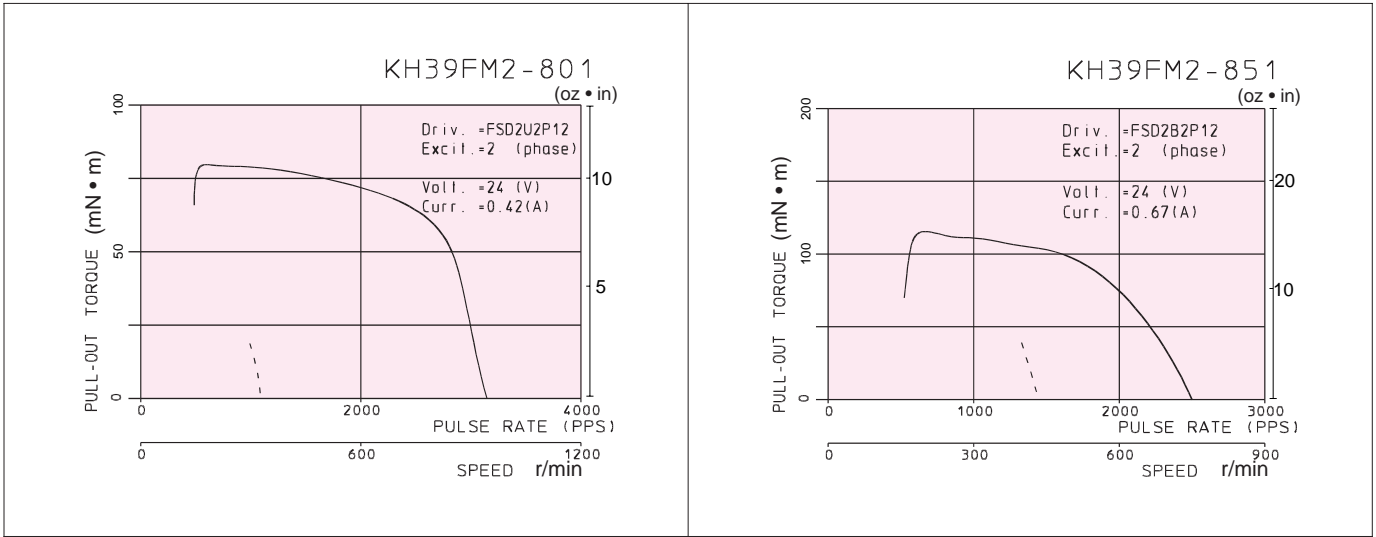




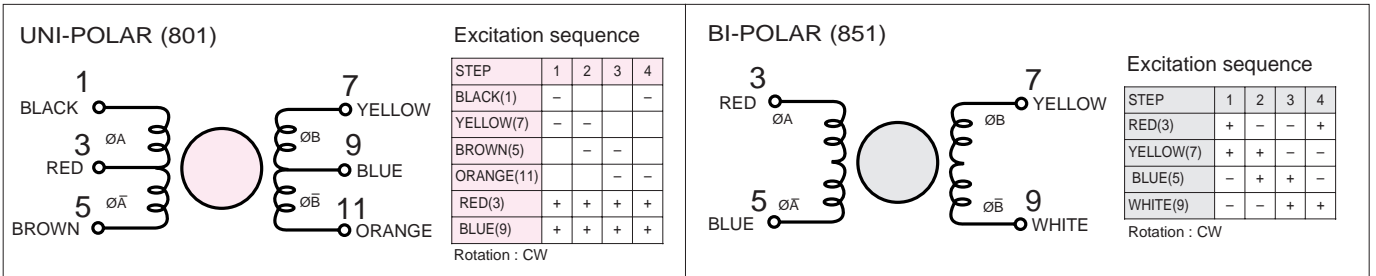
## Features

1. High torque  
Output is 1.3 times as high as conventional products.
2. Low noise -7dB(A) quieter than conventional products.

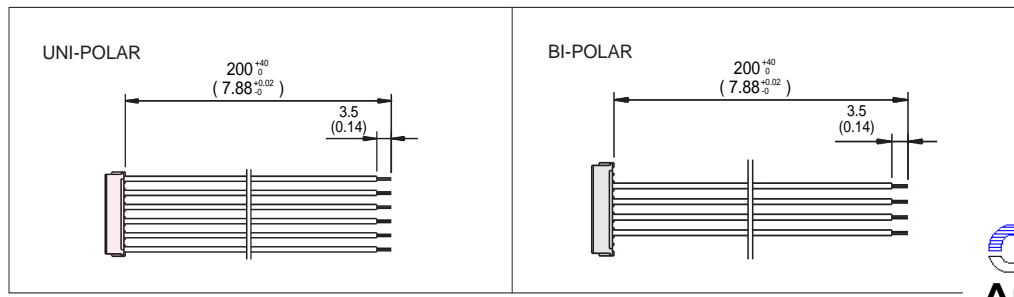
### ■ TORQUE CHARACTERISTICS vs. PULSE RATE



### ■ CONNECTION DIAGRAMS



### ■ CONNECTION CABLE TO MOTOR unit = mm (inch)



color-technik

Antriebstechnik GmbH

Starkenburgerstr. 6 \* 64546 Mörfelden  
Tel.: 06105 24044 \* Fax: 06105 25593  
info@color-technik.net  
[www.color-technik.net](http://www.color-technik.net)