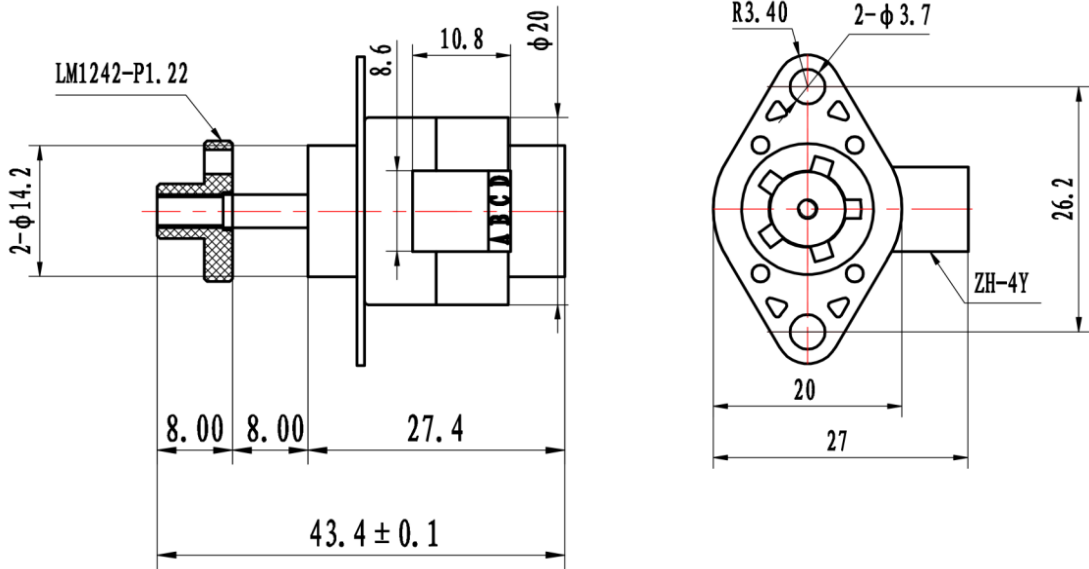


Smooth®

color-technik
Antriebstechnik GmbH



20PM101-16N

General specification		Electrical specification		Wiring diagramm
Step angle	15°	Rated voltage	5.4V	
Number of phase	2	Rated current	0.3A	
Insolation resistance	20MΩmin. (500V DC)	Resistance per phase	18Ω ± 10%	
Insolation class	Class B	Inductance per phase	7mH ± 20%	
Stroke	8mm	Push torque	14N @ 236pps	
Mass	36g	Travel per step	0.0508mm	

	B	D	A	C	
	RED	GRAY	YELLOW	BLACK	
EXTEND ↓	+	-	+	-	↑ RETRACT
	+	-	-	+	
	-	+	-	+	
	-	+	+	-	
	+	-	+	-	

FEIHONG PRECISION MOTOR CO.,LTD

20PM101-16N

color-technik

Antriebstechnik GmbH

Starkenburgerstr. 6 * 64546 Mörfelden

Tel.:06105 24044 * Fax:06105 25593

info@color-technik.net

www.color-technik.net