

**GETRIEBE-SCHRITTMOTOR**  
SM149-25T / SM155-25L Serie

micro  
motors s.r.l.



PM-Getriebe-Schrittmotor Ø 27mm

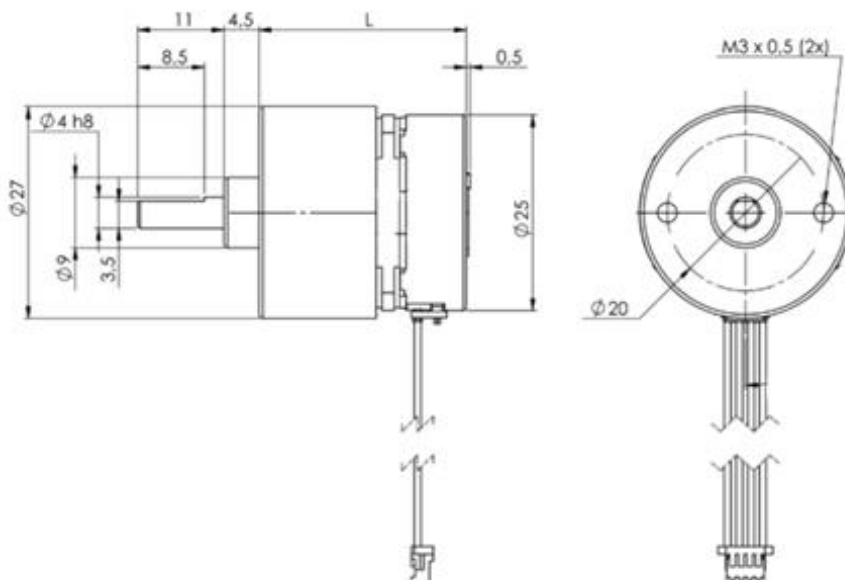
- ▶ NUR Ø 27mm
- ▶ Sehr flache Bauform
- ▶ Zentrischer Ausgang der Getriebewelle
- ▶ Metallgetriebe
- ▶ Sonderwelle und Sonderwicklung auf Anfrage
- ▶ Sonderkabel mit Stecker auf Anfrage

**SM149-25T T-Serie Baulänge von 26.5 – 36.5mm**

Step Angle	7.5°	Full Step	Pinion made by	Steel	
Number of Phase	2	BIPOLAR	Radial Shaft Load	10	N
Insulation Resistance	100 Ω	(400V DC)	Axial Shaft Load	5	N
Insulation Class	Class	B	Max allow. Torque	400	N
Voltage Driver	8-36V	V	Mass	45-60	g

Short-Motor SM149-25T Version	Length mm L	Ratio (x:1)	Holding Torque mNm	*Step Angle (°)	Resistance Ohm	Current mA	Inductance mH
SM149-25T-10	26.5	10	100	0.75	23	400	8.8
SM149-25T-21	26.5	20.8	290	0.36	23	400	8.8
SM149-25T-43	31.5	43.3	400	0.173	23	400	8.8
SM149-25T-90	31.5	90.3	400	0.083	23	400	8.8
SM149-25T-188	36.5	188	400	0.04	23	400	8.8
SM149-25T-392	36.5	391.8	400	0.019	23	400	8.8

T-Serie kurze Bauform: Kabellänge 100mm, verdreht, Stecker JST SHR-04V-S-B

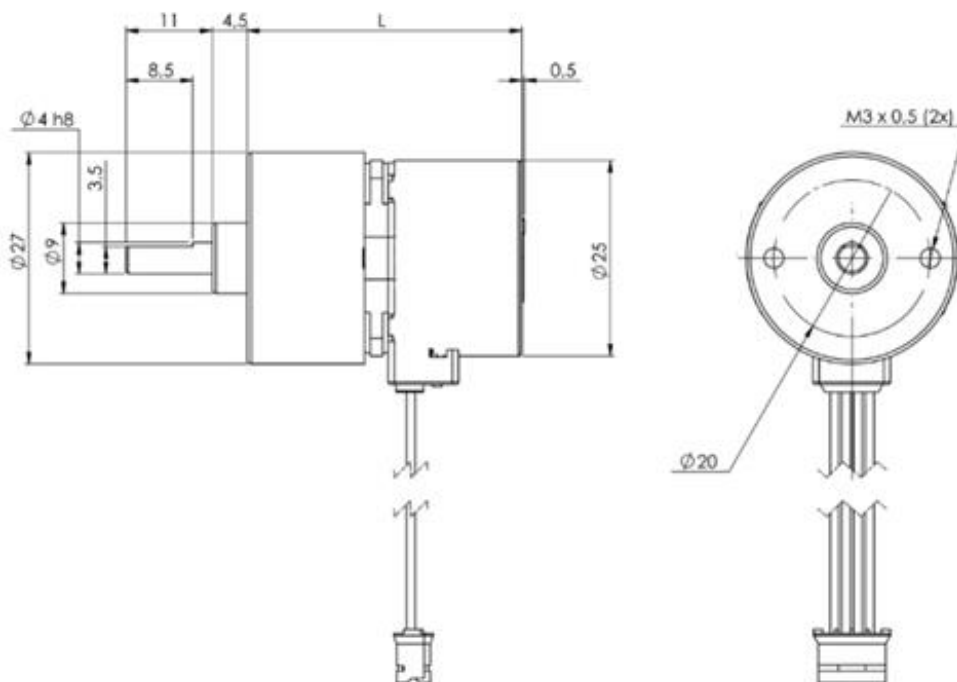


## SM155-25L L-Serie Baulänge von 35.1 – 45.1mm

Step Angle	7.5°	Full Step	Pinion made by	Steel	
Number of Phase	2	BIPOLAR	Radial Shaft Load	10	N
Insulation Resistance	100 Ω	(400V DC)	Axial Shaft Load	5	N
Insulation Class	Class	B	Max allow. Torque	400	N
Voltage Driver	8-36V	V	Mass	45-60	g

Long-Motor 25L48 Version	Length mm L	Ratio (x:1)	Holding Torque mNm	*Step Angle (°)	Resistance Ohm	Current mA	Inductance mH
SM155-25L-10	35.1	10	400	0.75	25	400	8.8
SM155-25L-21	35.1	20.8	400	0.36	25	400	8.8
SM155-25L-43	40.1	43.3	400	0.173	25	400	8.8
SM155-25L-90	40.1	90.3	400	0.083	25	400	8.8
SM155-25L-188	45.1	188	400	0.04	25	400	8.8
SM155-25L-392	45.1	391.8	400	0.019	25	400	8.8

L-Serie High-Torque Lange Bauform: Kabellänge 100mm, verdreht, Stecker JST SHR-04V-S-B



## Kennlinien Basismotor ohne Getriebe:

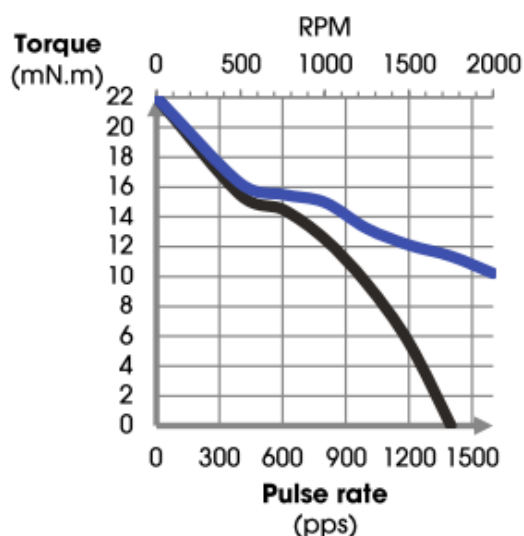
### 25T48B2301 -- Kurze Bauform

Conditions: Bi-polar Constant Current Driver  
Driver: AMIS 30522  
Mode: Full Step

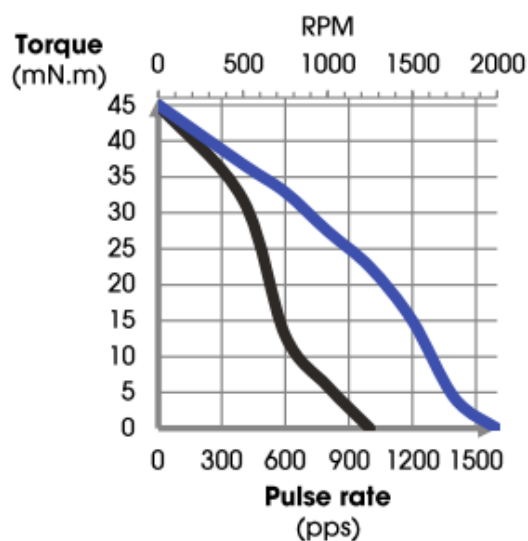
### 25L48B2301 -- Lange Bauform

Conditions: Bi-polar Constant Current Driver  
Driver: AMIS 30522  
Mode: Full Step

— Pull in torque    — Pull out torque



— Pull in torque    — Pull out torque



	COLOR	Phase	CCW <-----				----->CW	
1	BLACK	A	-	+	+	-		
2	RED	B	+	-	-	+	+	
3	BLUE	C	-	-	+	+	-	
4	YELLOW	D	+	+	-	-	+	

